

## TECHNICAL MATS FULL

TYPOLOGY  
FULL

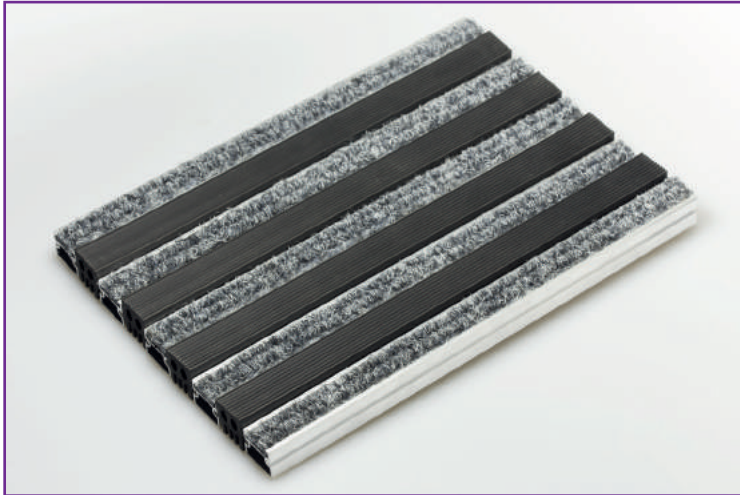
### CHARACTERISTICS

**Thickness:**  
25 mm

**Coating:**  
Moquette and rubber

**Binding:**  
EPDM rubber

**SM weight:**  
25 Kg



The innovative technical doormat **MAT.EN FULL** consists of strong tubular aluminum profiles (media section 1.2 mm; 6060 alloy) coated in needle coupled to laminated EPDM rubber profiles.

The mat shows itself as with closed surface and it can ensure: a good resistance to loads, a performing cleaning action and a good sole drying capacity.

The mat has a thickness of 25 mm for a weight of 25 Kg / Sm and maintains the rollable feature of all the technical doormats Mat.en.



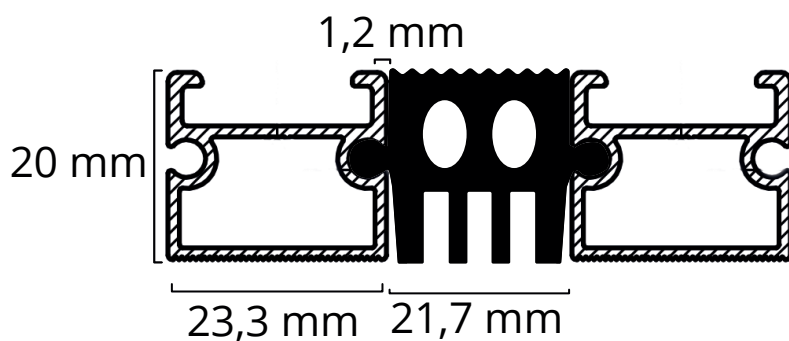
*Seen from above*



*Profile view*

## TECHNICAL MATS FULL

Profile detail



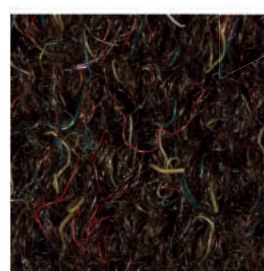
Coating



anthracite



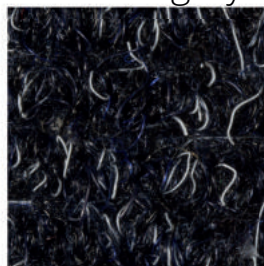
grey



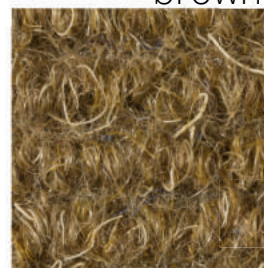
brown



red



dark blue



coconut